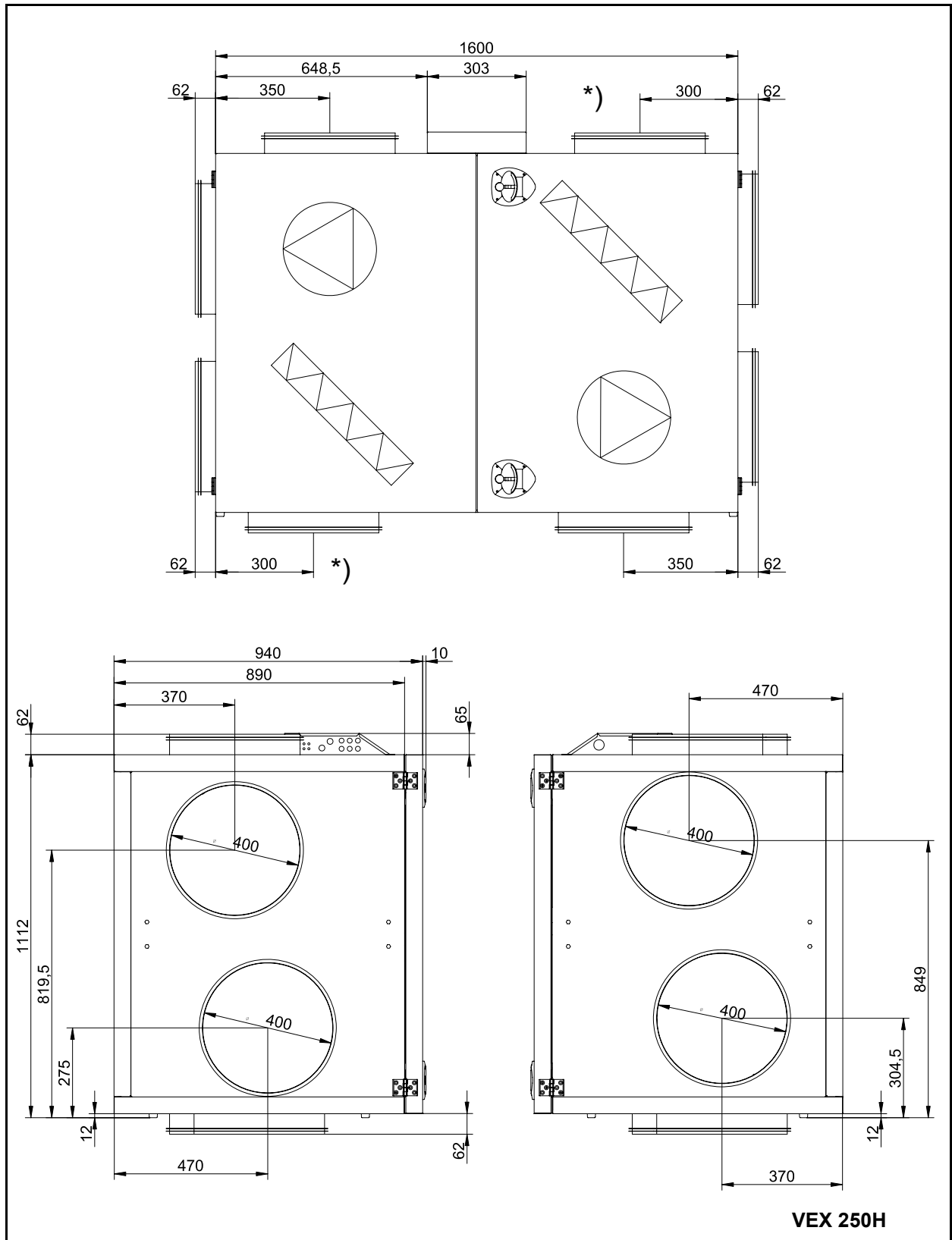


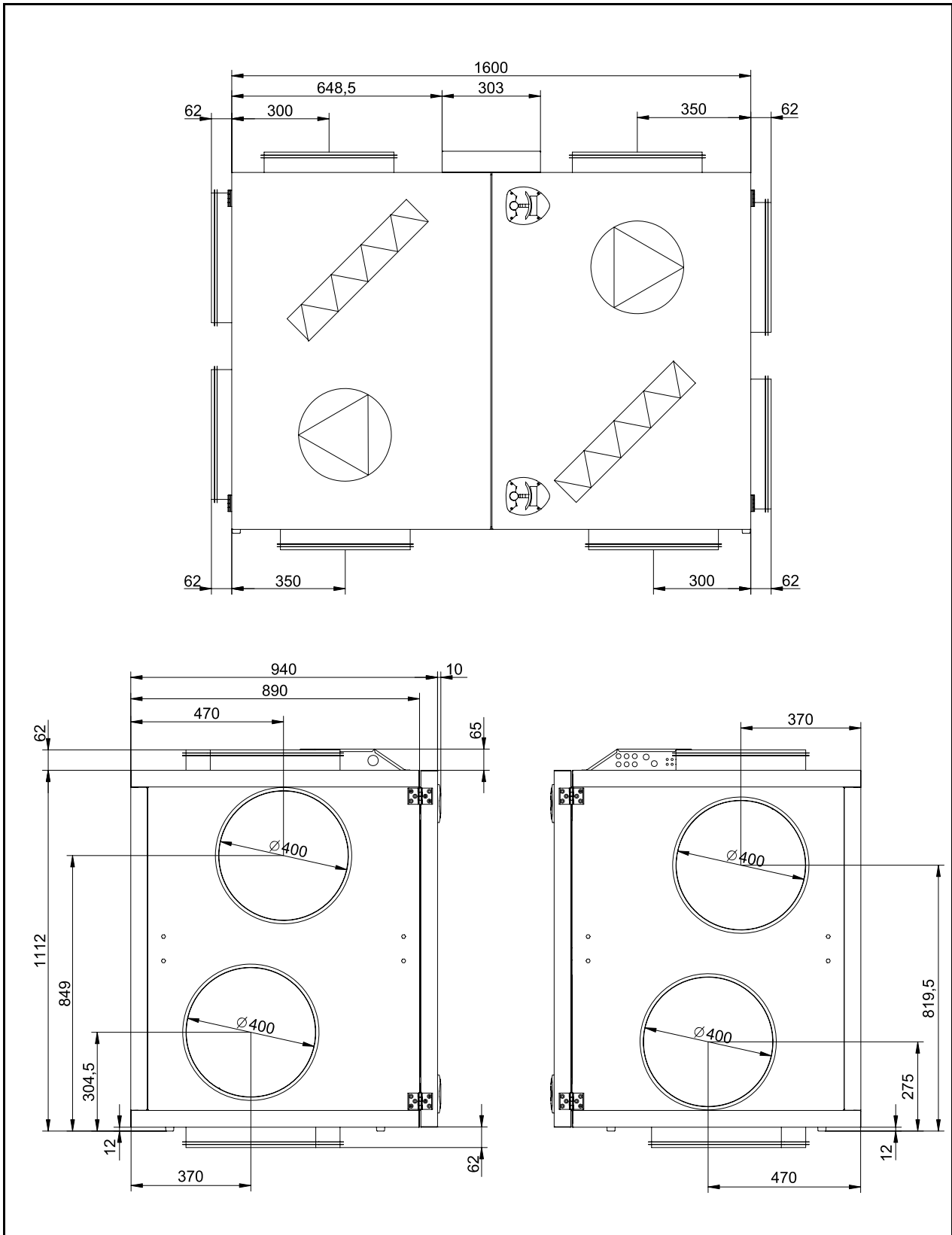
1. Principal Dimensions VEX 250

Fan position 1 The principal dimensions are stated on the following drawing:



NB The drawing shows all possible spigot locations. Spigots positions marked *) are not options for VEX units operating with bag filters.

Fan position 2 The principal dimensions are stated on the following drawing:



NB The drawing shows all possible spigot locations. Spigots positions marked *) are not options for VEX units operating with bag filters.