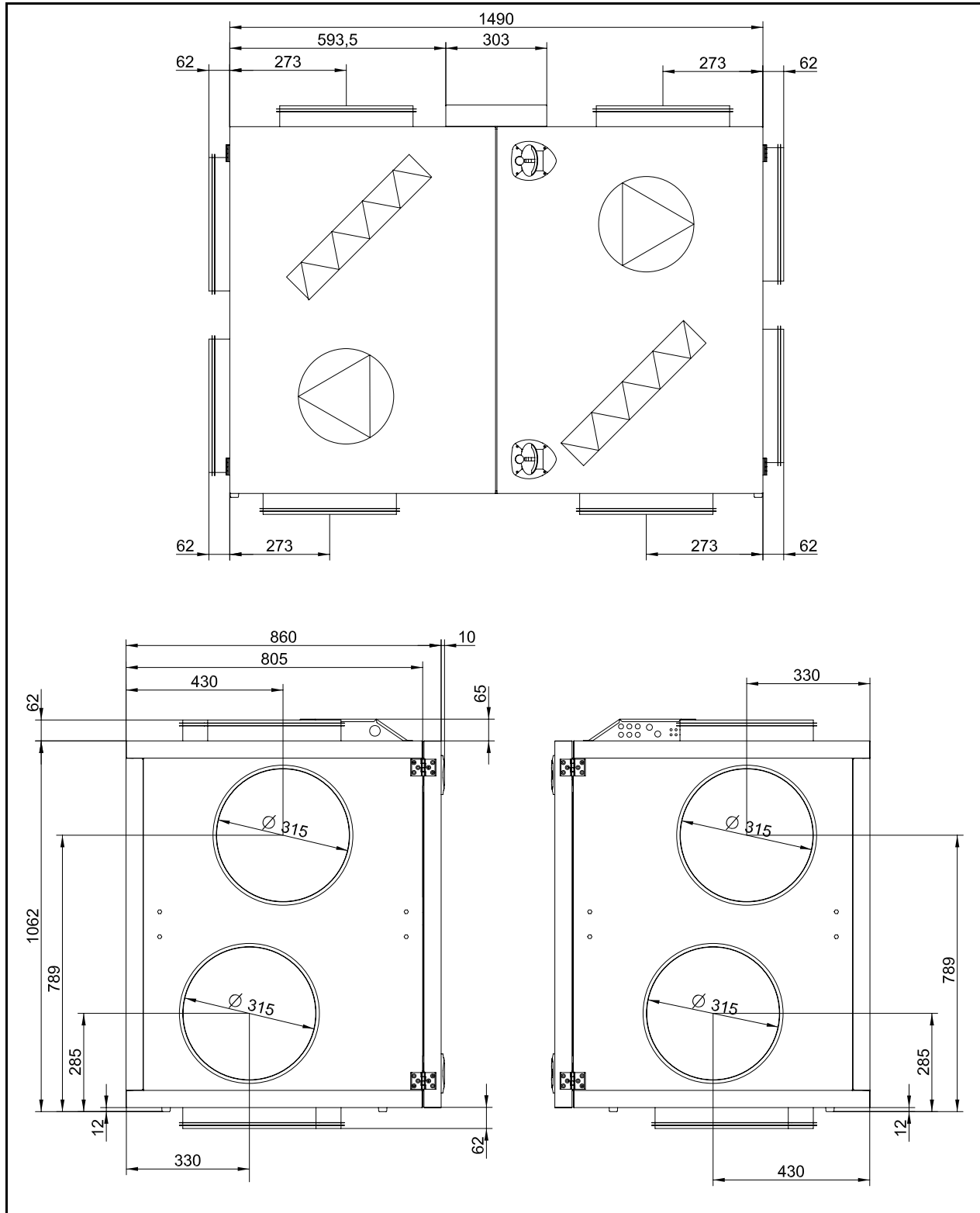




**Fan position 2**

The principal dimensions are stated on the following drawing: Følgende tegning angiver hovedmålene



**NB**

The drawing shows all possible spigot locations. Spigots positions marked \*) are not options for VEX units operating with bag filters.