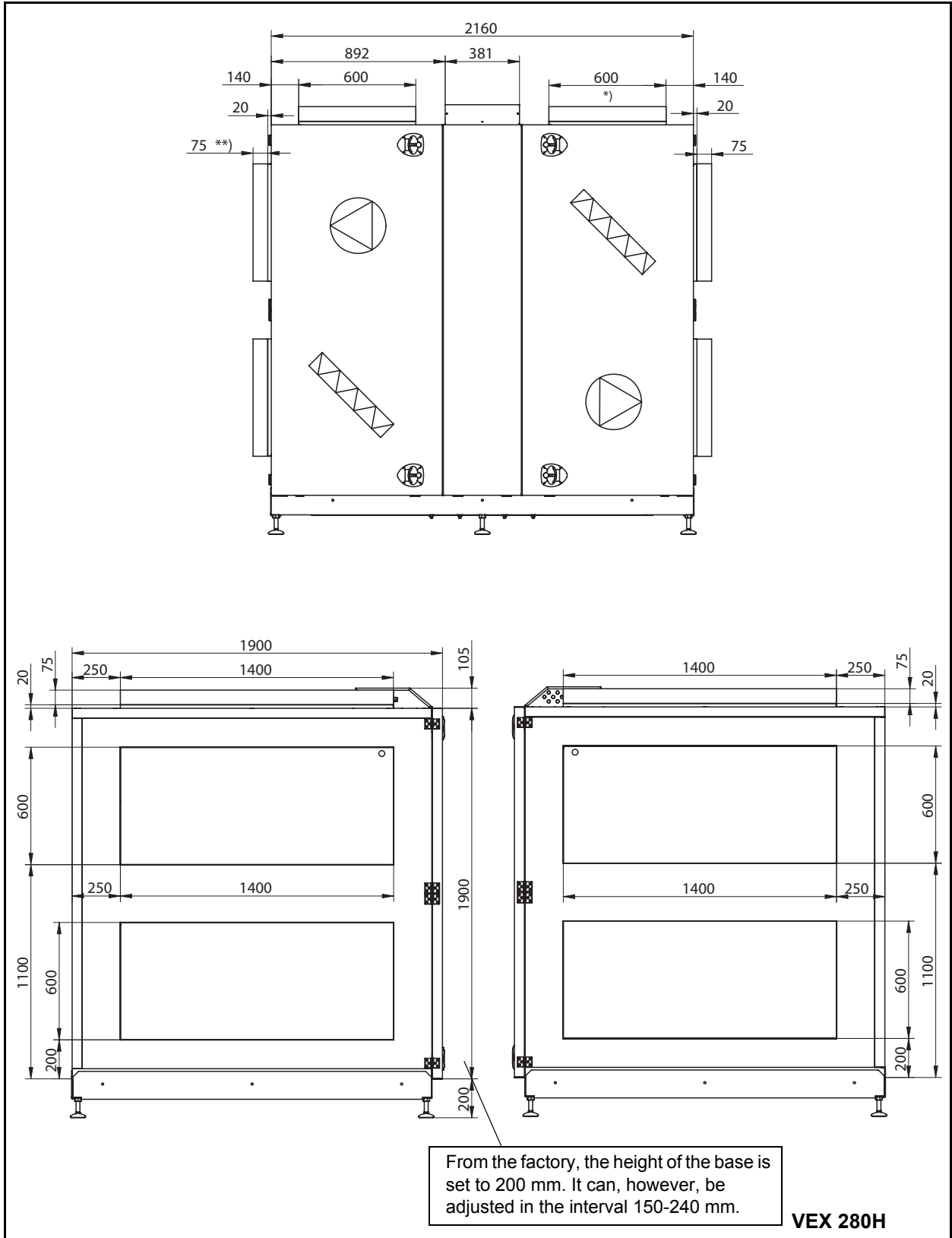


VEX280 fan position 1

The principal dimensions are stated on the following drawing:

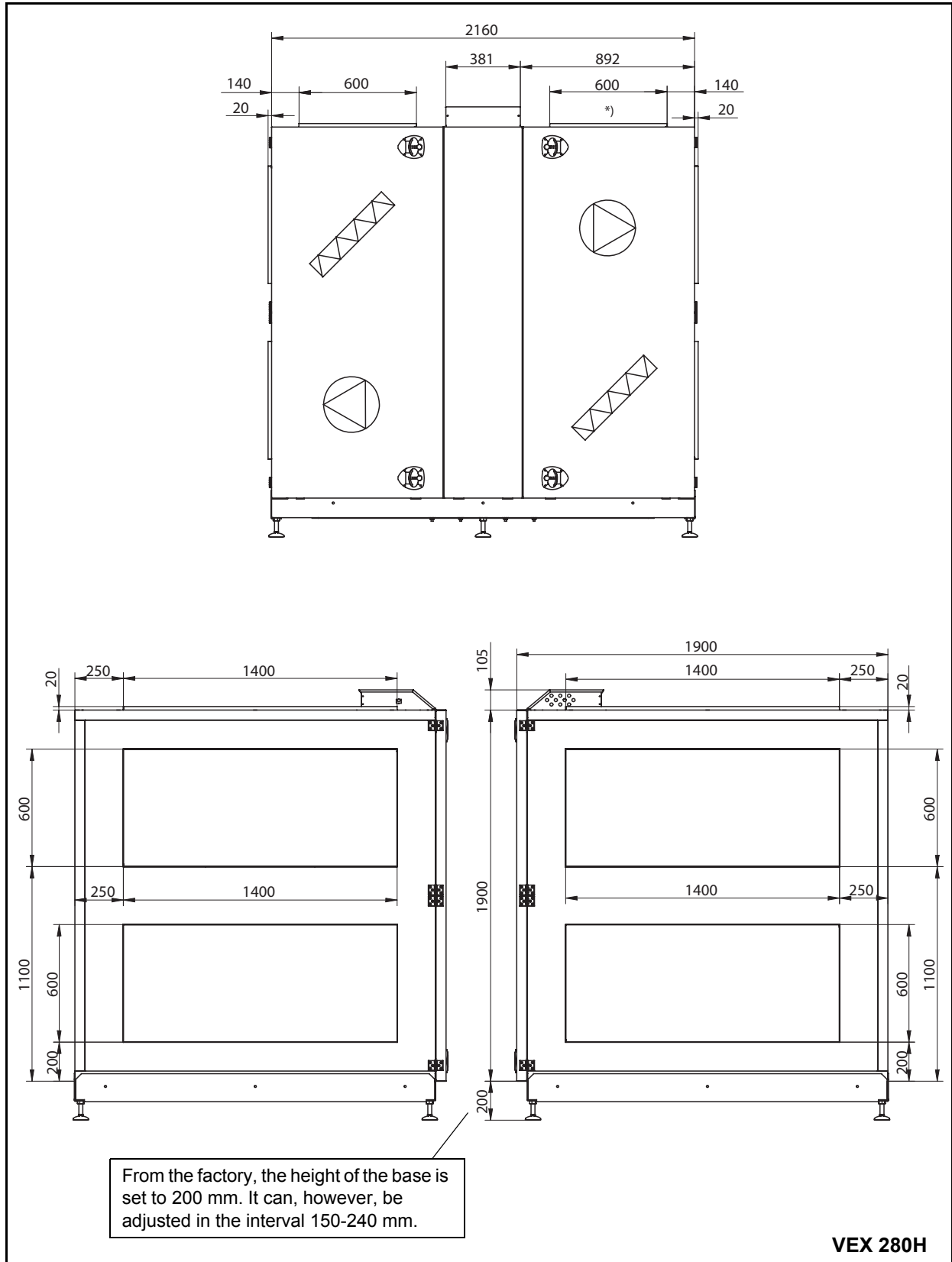


NB

The drawing shows all possible spigot locations. Spigots positions marked *) are not options for VEX units operating with bag filters.

VEX280 fan position 2

The principal dimensions are indicated on the following drawing:



NB

The drawing shows all possible spigot locations. Spigots positions marked *) are not options for VEX units operating with bag filters.